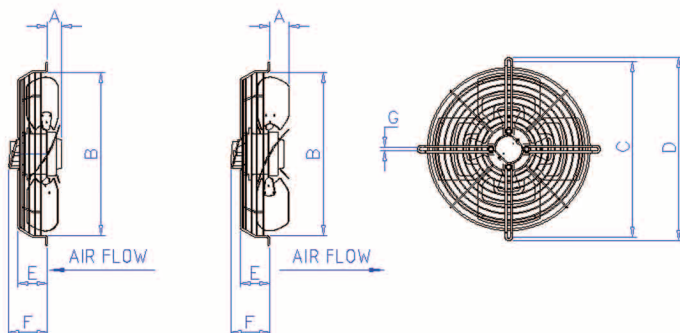


INDUSTRIAL EXTERNAL COOLING TOWER TYPE



SPECIFICATIONS									DIMENSIONS (mm)							
	MODEL	FAN DIA. (mm)	VOLT (v)	Hz	Amps (A)	Power (Pt)	R.P.M.	M ³ /h	Kg	A	B	C	D	E	F	G
1	VIF-30L4S	295	220	50	0.60	110	1400	1750	4.1	25	324	357	378	84	125	10
2	VIF-30L4T	295	380	50	0.35	150	1420	1800	4	25	324	357	378	84	125	10
3	VIF-35L4S	345	220	50	0.70	140	1300	2700	4.5	25	369	402	423	84	125	10
4	VIF-35L4T	345	380	50	0.41	180	1320	2750	4.3	25	369	402	423	84	125	10
5	VIF-40T4S	395	220	50	1.25	230	1400	4400	9.45	60	423	455	477	95	110	10
6	VIF-40T4T	395	380	50	0.63	250	1400	4400	9.45	60	423	455	477	95	110	10
7	VIF-40T6S	395	220	50	0.50	100	950	2700	9.40	60	423	455	477	95	110	10
8	VIF-45T4S	445	220	50	1.60	300	1360	5850	11	60	474	515	538	95	110	10
9	VIF-45T4T	445	380	50	0.70	350	1370	5870	11	60	474	515	538	95	110	10
10	VIF-45T6S	445	220	50	0.60	130	930	3600	10	60	474	515	538	95	110	10
11	VIF-50V4S	495	220	50	2.50	460	1340	8500	13.3	50	524	565	588	95	130	10
12	VIF-50V4T	495	380	50	1.20	567	1370	8550	13.2	50	524	565	588	95	130	10
13	VIF-50T6S	495	220	50	0.72	155	900	5600	10.9	50	524	565	588	95	130	10
14																

